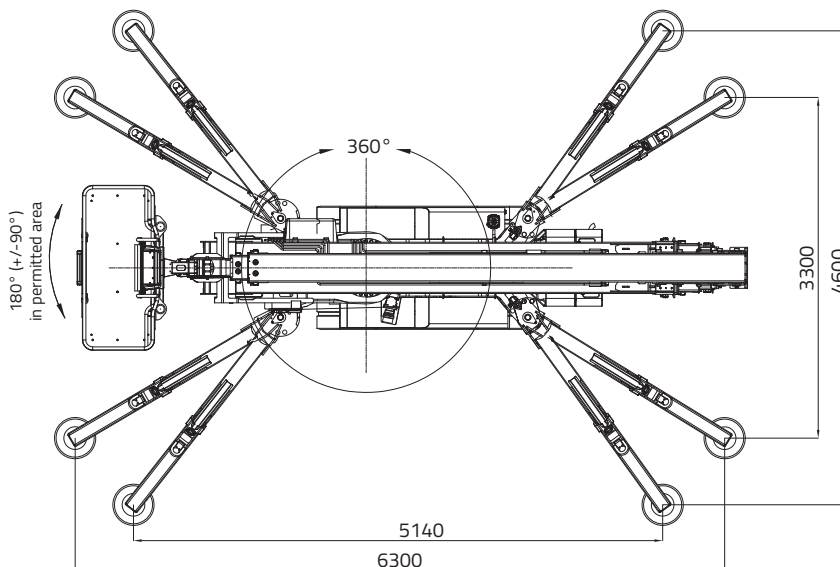
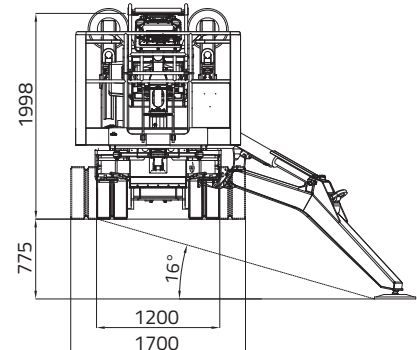
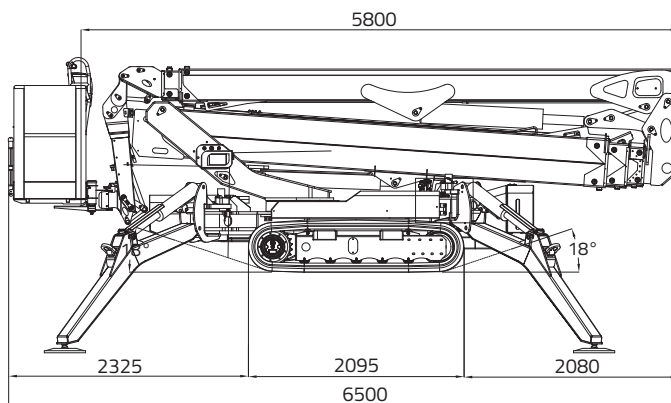
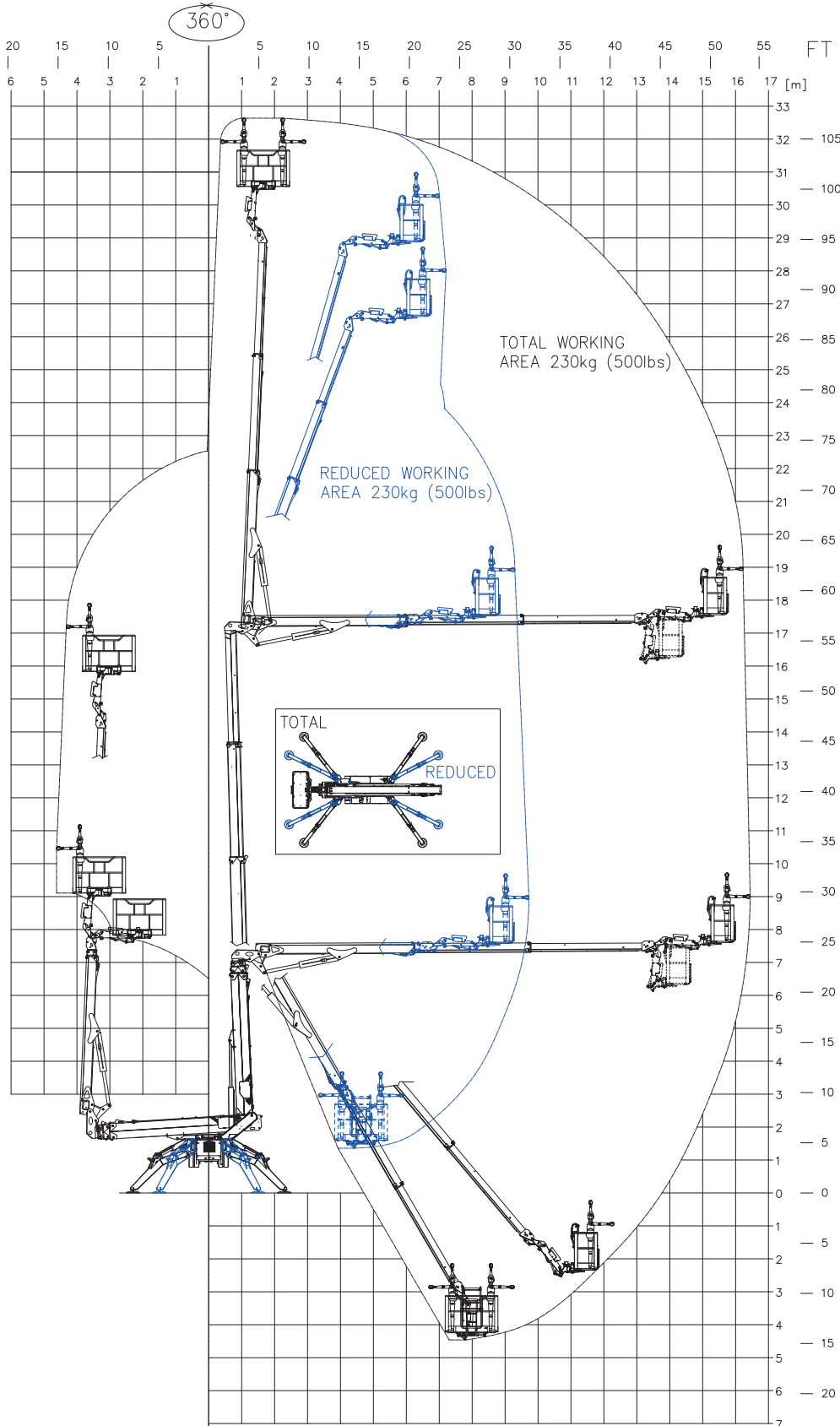


LIGHTLIFT 33.17 *PERFORMANCE III S*



LIGHTLIFT 33.17 *PERFORMANCE III*



**MAX LOADING
CAPACITY 230 KG**
(2 persons
80x2=160 kg
+
toolbox 70 kg)

LIGHTLIFT 33.17 *PERFORMANCE III*

DIESEL ENGINE

Brand..... KUBOTA
 Type D902 Autorev
 Pistons no. and displacement 898 cm³
 Max. gross power21,6 HP - 16,1 kW @ 3200 rpm
 Electrical start 12 volt

ELECTRIC MOTOR

Optional380V / 50HZ - 11 kW

HYDRAULIC PUMPS

Pump diesel engineno. 2 gear pumps
 Pump electric motorno. 2 gear pumps

TRACKED UNDERCARRIAGE

Track tensionergrease-filled
 Rollers no. per side 6 + slide
 Widening system 1200 / 1700 mm
 Translation speed with 2nd auto2speed 0,8 - 1,8 km/h

WEIGHT MACHINE 7700 kg
 DIESEL FUEL TANK..... 25 litri
 MAX UPPER SLANT 16° / 28,7%
 MAX WIND SPEED..... 12,5 m/s

LIGHTLIFT 33.17 *PERFORMANCE III*



ELECTRIC SYSTEM - LITHIUM ION

Electric system voltage	76V-12V
Lithium battery pack	150Ah - 76V
Autonomy (continuous cycle)*	4-5 h
Std battery charger	110V-230V 50Hz
Recharge time on flat batteries	4 h (indicative)
Recharge time to 80% on flat batteries	2 h (indicative)

HYDRAULIC PUMPS

Electric motor	no.2 gear pumps
----------------------	-----------------

TRACKED UNDERCARRIAGE

Track tensioner	grease-filled
Rollers no. per side	6 + slide
Widening system	1200 / 1700 mm
Translation speed with 2 nd auto2speed	0,6 - 1,3 km/h

WEIGHT MACHINE	7740 kg
MAX UPPER SLANT	16° / 28,7 %
MAX WIND SPEED	12,5 m/s

* (Autonomia rilevata con ciclo operativo Hinowa H2)