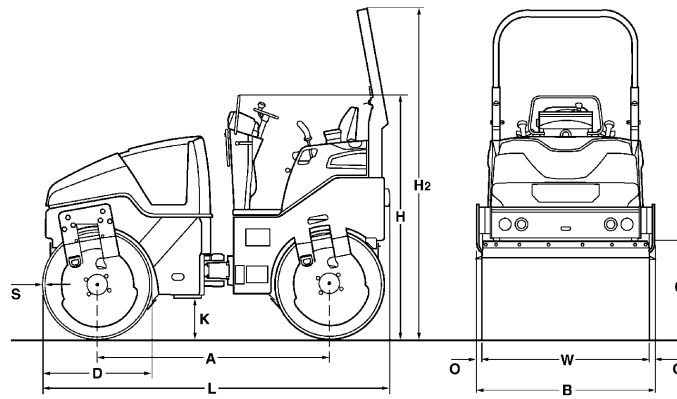


TECHNICAL DATA

TANDEM ROLLERS

BW 135 AD-5, BW 138 AD-5





Dimensions in mm

| | A | B | C | D | H | H2 | K | L | O | S | W |
|--------------------|----------|----------|----------|----------|----------|-----------|----------|----------|----------|----------|----------|
| BW 135 AD-5 | 1900 | 1390 | 700 | 900 | 1900 | 2700 | 340 | 2840 | 44 | 16 | 1300 |
| BW 138 AD-5 | 1900 | 1468 | 700 | 900 | 1900 | 2700 | 340 | 2840 | 44 | 18 | 1380 |

Shipping dimensions in m3

BW 135 AD-5
BW 138 AD-5

without ROPS

7,500
 7,921

with ROPS

10,659
 11,257

| Machine type | Compaction output (m3/h) at recommended soil layer thicknesses | | |
|---------------------|---|-------------------|-------------------|
| | Gravel, sand | Mixed soil | Silt, clay |
| BW 135 AD-5 | 90-180 | 70-140 | 40-80 |
| BW 138 AD-5 | 100-200 | 80-160 | 40-80 |

| Machine type | Compaction output (t/h) at different asphalt layer thicknesses | | |
|---------------------|---|---------------|-----------------|
| | 2-4 cm | 6-8 cm | 10-14 cm |
| BW 135 AD-5 | 30-55 | 50-85 | 75-130 |
| BW 138 AD-5 | 30-55 | 50-90 | 75-135 |

Technical Data**BOMAG
BW 135 AD-5****BOMAG
BW 138 AD-5****Weights**

| | | | |
|---------------------------------------|-------|-------|-------|
| Operating weight w. ROPS CECE | kg | 4.050 | 4.500 |
| Average static linear load CECE | kg/cm | 15,6 | 16,3 |
| Grossweight | kg | 5.500 | 5.500 |

Dimensions

| | | | |
|---------------------------|----|-------|-------|
| Working width | mm | 1.300 | 1.380 |
| Track radius, inner | mm | 2.665 | 2.616 |

Driving Characteristics

| | | | |
|---|------|---------|---------|
| Speed | km/h | 0- 10,0 | 0- 10,0 |
| Working speed with vibration | km/h | 0- 10,0 | 0- 10,0 |
| Max. gradeability without/with vibr. | % | 40/30 | 40/30 |

Drive

| | | | |
|----------------------------------|-------|------------------|------------------|
| Engine manufacturer | | Kubota | Kubota |
| Type | | V2403 | V2403 |
| Emission stage | | Stage V / TIER4f | Stage V / TIER4f |
| Exhaust gas aftertreatment | | DPF | DPF |
| Cooling | | water | water |
| Number of cylinders | | 4 | 4 |
| Performance ISO 14396 | kW | 34,1 | 34,1 |
| Performance SAE J 1995 | hp | 45,7 | 45,7 |
| Speed | min-1 | 2.400 | 2.400 |
| Speed adjustment 1 | min-1 | 2.300 | 2.300 |
| Speed adjustment 2 | min-1 | 2.530 | 2.530 |
| Electric equipment | V | 12 | 12 |
| Driven drum | | front + rear | front + rear |

Brakes

| | | | |
|---------------------|--|-----------|-----------|
| Service brake | | hydrost. | hydrost. |
| Parking brake | | hydromec. | hydromec. |

Steering

| | | | |
|--|------|--------------|--------------|
| Steering system | | oscil.artic. | oscil.artic. |
| Steering method | | hydrost. | hydrost. |
| Steering / oscillating angle +/- | grad | 32/10 | 32/10 |
| Crab walk | mm | 0- 50 | 0- 50 |

Exciter system

| | | | |
|-------------------------|----|--------------|--------------|
| Vibrating drum | | front + rear | front + rear |
| Drive system | | hydrost. | hydrost. |
| Frequency | Hz | 50/56 | 50/56 |
| Amplitude | mm | 0,50 | 0,50 |
| Centrifugal force | kN | 39/48 | 45/57 |

Sprinkler System

| | | | |
|--------------------------|--|----------|----------|
| Type of sprinkling | | pressure | pressure |
|--------------------------|--|----------|----------|

Capacities

| | | | |
|-------------|---|-------|-------|
| Fuel | l | 55,0 | 55,0 |
| Water | l | 310,0 | 310,0 |

Technical modifications reserved. Machines may be shown with options.

Standard Equipment

- Hydrostatic travel and vibration drive
- 2 scrapers per drum, spring loaded and tiltable
- Pressure sprinkler system with interval switch
- Multi function travel lever
- Multi-function display incl. operating hour meter
- Water level
- Electronic fuel gauge
- Emergency STOP
- Individual control, vibration
- Intelligent Vibration Control (IVC)
- Integrated storage compartment
- Sliding seat incl. double travel lever
- Seat contact switch
- 12V socket
- Working lights front and rear
- Vandalism protection
- Lockable engine hood made of composite material
- Lashing eyes, galvanized
- Single point lifting device
- Back-up alarm

Optional Equipment

- *Foldable ROPS incl. seat belt
- Sun roof, rigid
- Sun roof, foldable with ROPS
- Weather protection for sun roof
- Weather protection cabin
- Seat heating
- ECONOMIZER with asphalt temperature display
- Temperature display
- BOMAG TELEMATIC
- Indicator and hazard lights
- Rotary beacon
- Optional lighting on ROPS
- Lighting for drum edge
- Battery disconnect switch
- Environmentally compliant hydraulic oil
- Theft protection
- Edge cutter-right/left
- Gravel scrapper
- Hydraulically adjustable crabwalk (50mm)
- Pointer
- Special painting
- Backup warning buzzer with broadband technology
- Flow divider
- 2. Amplitude:0,2mm
- ECOSTOP
- Outside mirrors
- Anti-frost intake
- Tablet holder set
- JOBLINK measuring technology interface
- JOBLINK Bluetooth adapter
- BOMAP GPS antenna holder

* Standard delivery with CE conformity
(valid within European Union)

